

“aira” offers ISO 5211 Standard Pneumatic Rotary Actuator Operated “Three Way - Four Way” Design Investment Casting Cf8 / CF8M / WCB Ball Valve, engineered for multiple Diverting / Mixing Operations in the down stream. TYPE : “T” . PORT / “L” . PORT / “X” . PORT In Full Bore / Reduce Bore

Size Range : 1/2" to 8" Screwed / Flanged / Triclover / Socket Weld



Actuator

Technical Specifications :

Type	Rack and Pinion Type
Actuation	Double Acting / Single Acting (Spring Return)
Mounting Std.	ISO 5211 An Internationls Standard
Pneumatic Connections	NAMUR Standard

For more details please refer Catlogue APL/1001

Ball Valve

Body	ASTM A351 Gr. CF 8 - CF 8M / ASTM A216 Gr. WCB
Ball	ASTM A351 Gr. CF 8 - CF 8M
Steam	Stainless Steel AISI 304 / AISI 316
Gland	Stainless Steel AISI 304 / AISI 316
Seat & Seals	PTFE (Glass Filled, Carbon Filled Teflon - Optional in case of high temp.)
Working Pressure	ANSI 150 / ANSI 300 / PN 16, PN 25, PN 40
Temperature Range	-25 °C to 180 °C
End Connection	Screwed to BSP / NPT Flanged to ANSI 150 / ANSI 300 / PN 16 Triclover end / SOCKET WELD (On Request)

FLOW PATTERNS

3-WAY



4-WAY



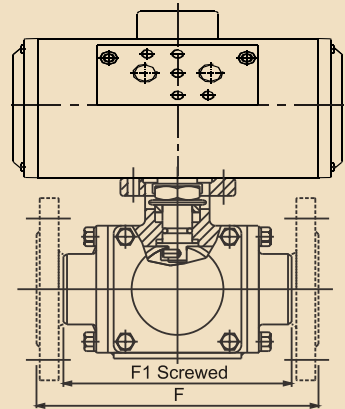
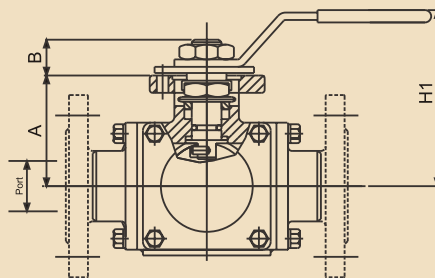
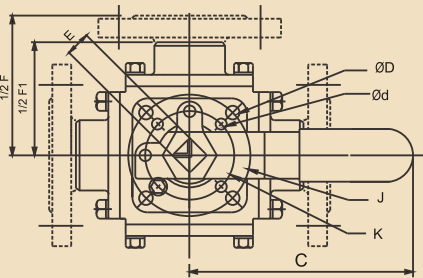
Accessories :

- On / Off Indicator
- NAMUR Standard Solenoid Valve in all Standard Coil Voltage (Flame Proof Solenoid Coil - on request)
- Declutchable Manual Over - ride
- Limit Switches for On / Off Indication at Panel board
- Filter + Regulator Combination with Pressure Gauge
- Air Lock Valve

Features :

- Body & End are Investment Cast
- Self adjusting stem packing
- Available in 3 way & 4 way & 5 Way L - Port / T Port / X Port
- 4 piece ball seats
- Blow - out proof stem design / Anti Blow - out proof stem Design
- 100% air tested under water at 80 - 100 psi
- ISO 5211 direct mounting pad

3 Way - 4 Way Ball Valve - Screwed / Flanged End

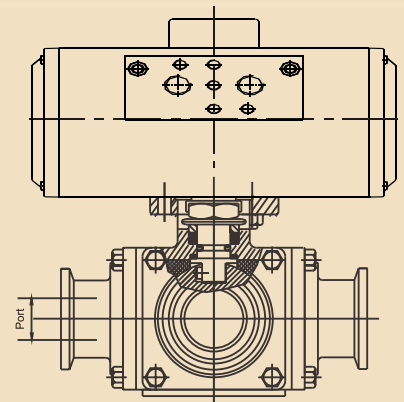
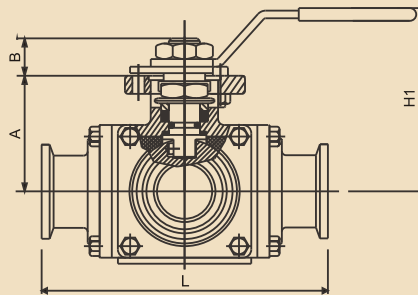
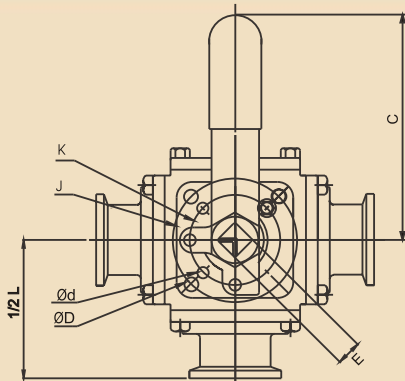


Dimensions :

(All dimensions are in MM)

Valve Model	Valve Size		A	B	C	d	D	H1	K	J	E	Port	F			Weight (Approx)		Weight (Approx) Actuator Operated		
	MM	Inch											150	300	PN16	F1	S/E	F/E	S/E	F/E
SUZ - 503 - 15	15	1/2"	41	11	125	6.0	6.0	67.0	36	42	9	15	151	160	160	104	1.750	3.100	2.250	4.440
SUZ - 503 - 20	20	3/4"	49	14	160	6.0	7.1	80.8	42	50	11	19.5	167	177	177	112	2.350	4.00	3.050	5.800
SUZ - 503 - 25	25	1"	55	14	160	6.0	7.1	87.5	42	50	11	25.7	192	200	190	128	3.350	5.400	4.350	7.650
SUZ - 503 - 32	32	1.1/4"	55	14	160	6.0	7.1	87.5	42	50	11	32	208	218	208	140	3.500	-	5.050	-
SUZ - 503 - 40	40	1.1/2"	74	18	205	7.1	9.2	114	50	70	14	38	219	234	234	163	7.950	11.00	10.100	15.600
SUZ - 503 - 50	50	2"	93	23	325	9.2	11.4	140	70	102	17	49	253	273	273	190.5	13.500	19.500	16.500	26.450
SUZ - 503 - 65	65	2.1/2"	119	25	600	-	11.5	250	-	102	22	62	302	-	-	293	-	25.15	-	35.200
SUZ - 503 - 80	80	3"	125.5	25	600	-	11.5	285	-	102	22	76	303	-	-	318.5	-	33.450	-	46.300
SUZ - 503 - 100	100	4"	154.5	25	600	-	11.5	330	-	102	22	96	370	-	-	367	-	58.00	-	80.050
SUZ - 503 - 150	150	6"	159	-	1150	-	-	400	-	102	27	150	422	-	-	-	-	-	-	82.100
SUZ - 503 - 200	200	8"	-	-	-	-	-	-	-	-	-	-	-	-	-	-	-	-	-	-

3 Way - 4 Way Ball Valve - Triclover End



Dimensions :

(All dimensions are in MM)

Valve Model	Valve Size		A	B	C	d	D	H1	K	J	E	Port	L
	MM	Inch											
SUZ - 503 T 15	15	1/2"	41	11	125	6.0	0.6	67.0	36	42	9	12.5	133
SUZ - 503 T 20	20	3/4"	49	14	160	6.0	7.1	80.8	42	50	11	17	140
SUZ - 503 T 25	25	1"	55	14	160	6.0	7.1	87.5	42	50	11	22	160
SUZ - 503 T 40	40	1.1/2"	74	18	205	7.1	9.2	114	50	70	14	35	183
SUZ - 503 T 50	50	2"	93	23	325	9.2	11.4	140	70	102	17	47	217
SUZ - 503 T 65	65	2.1/2"	73.5	25	-	-	11.5	250	-	102	22	-	-
SUZ - 503 T 80	80	3"	81.5	25	-	-	11.5	285	-	102	22	-	-
SUZ - 503 T 100	100	4"	99.5	25	-	-	11.5	330	-	102	22	-	-